

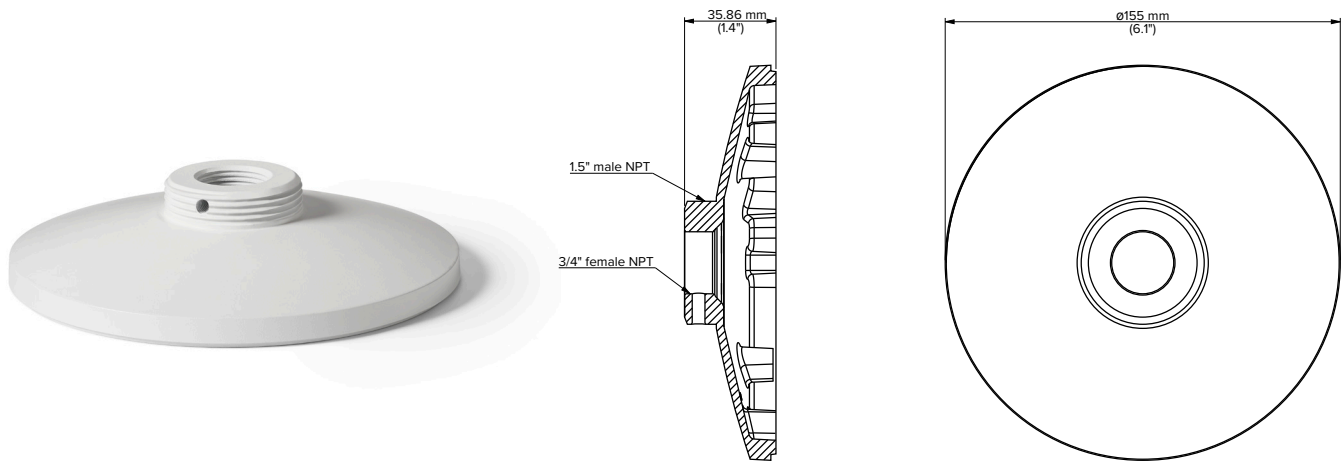


ACC-MNT-8

Pendant Cap Mounting Adapter Kit

Threaded cap features built in 3/4" female NPT and 1.5" male NPT threads.

Compatible with Dome Series, Fisheye Series, D30, D50 and ACC-MNT-2



Technical Specifications

Model	ACC-MNT-8	Weight	300g (10.6oz)
Material	Aluminum Alloy	Box Dimensions	510x490x220mm (20.1x19.3x8.7")
Dimensions	Ø155x35mm (Ø6.1x1.4")	Box Weight	350g (12.3oz)
Color	White	Box Includes	Mount cap, set screw, 3 thumbscrews

