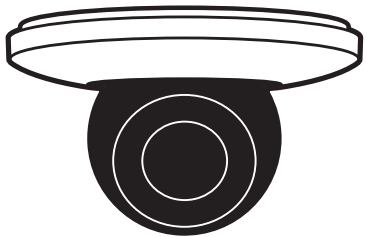


CM61 Setup Guide

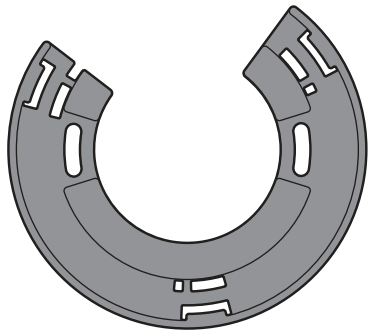
Contents

In the box	1
What you'll need	3
Connect	5
Mount	7
Secure	11
Support	15

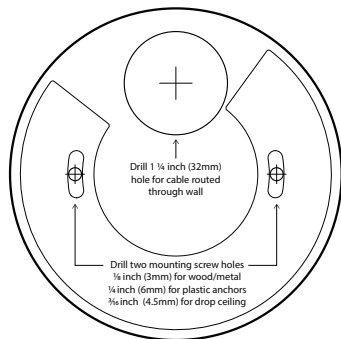
In the box



CM61 Camera



Mount plate



Drill template



3 Screws

Length (including head) 52.5 mm,
Width 4 mm, Head width 8.3 mm



3 Wall anchors



2 Machine screws

Length (including head) 27.6 mm,
Width 4 mm, Head width 7 mm



2 Washers



2 Wing nuts

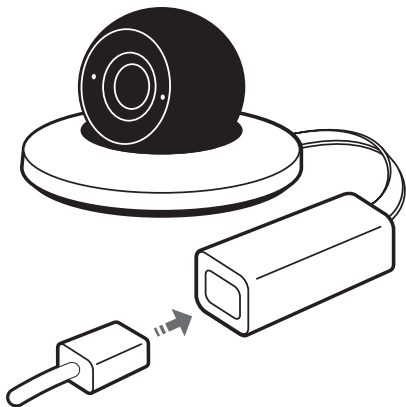


Adhesive tape

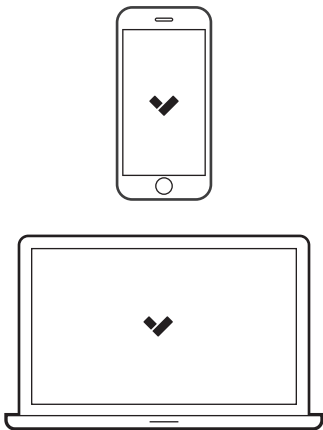
What you'll need

- A working internet connection
- 802.3af Power over Ethernet (PoE) switch, or a PoE injector
- A smartphone or laptop
- A Phillips screwdriver or power drill with a Phillips driver bit
- ¼ inch (6.5mm) drill bit for wall anchors
- ⅜ inch (3mm) drill bit for pilot holes
- ⅝ inch (4.5mm) drill bit for machine screws
- 1 ¼ inch (32mm) drill bit if ethernet cable is routed through mounting surface

Connect

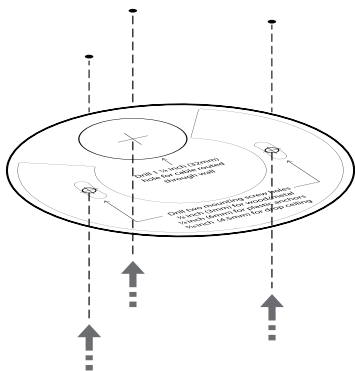


Connect the camera to an 802.3af Power over Ethernet port on your network. Once it's plugged in, the camera's LED will turn solid orange, indicating it is powered on and booting up. When the LED turns solid blue, the camera is fully connected and streaming video.

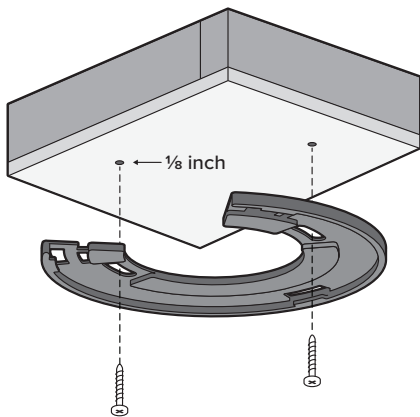


Go to www.verkada.com/start

Mount



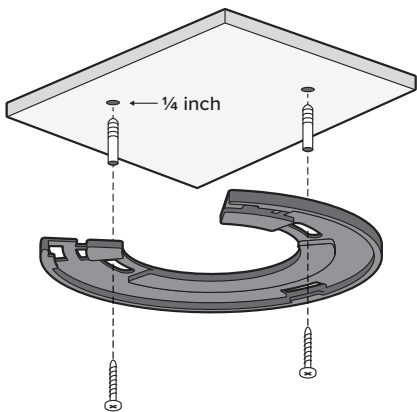
Use the included drill template to mark holes for mounting screws. If the camera's cable is to be routed through the mounting surface, drill a 1/4 inch hole for the camera's connector to pass through. Otherwise, drill just the two screw holes.



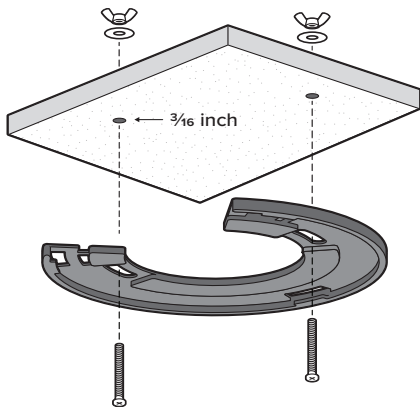
For a solid material like wood or metal, drill 1/8 inch pilot holes. Drive mounting screws directly into the pilot holes.

Mount

continued

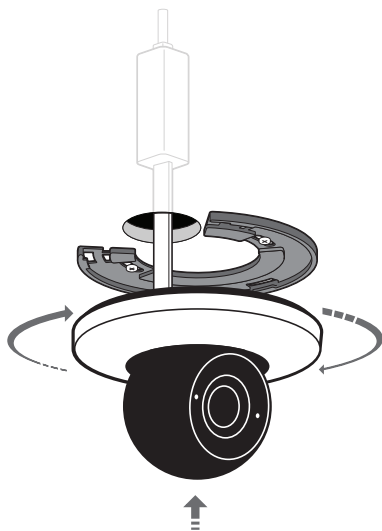


For drywall, drill $\frac{1}{4}$ inch holes. Insert plastic anchors into holes and drive mounting screws into anchors.

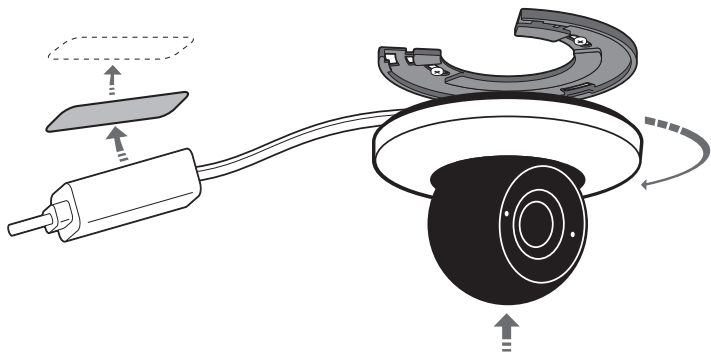


For a drop ceiling, drill $\frac{3}{16}$ inch holes through the ceiling tile and insert machine screws. Behind the ceiling tile, place washers and wing nuts on each screw and hand tighten.

Secure



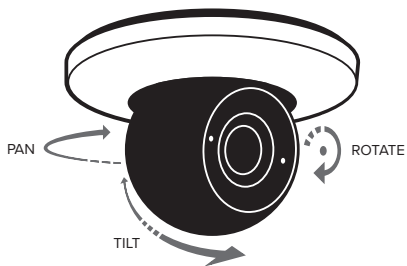
If the ethernet cable is routed through the mounting surface, plug the cable into the camera's cable connector and insert the connector through the 1 ¼ inch cable hole. Place the camera over the mount plate and rotate it clockwise until it locks.



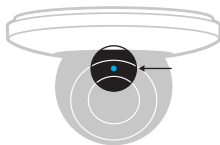
If the ethernet cable is to be routed along the mounting surface, plug the cable into the camera's cable connector, place the camera over the mount plate and rotate it clockwise until it locks into place.

Mount the cable connector with the included adhesive to a **clean, dry, and dust-free surface**. Peel off the first protective layer and press the adhesive against the connector. Then peel off the second protective layer, press firmly against the mounting surface, and hold for 10 seconds.

Secure
continued



To adjust the camera view, pan the camera by spinning the entire camera sphere. Tilt the camera by tilting the entire camera sphere. Rotate the camera by rotating only the front half of the camera sphere.



Status LED



Solid orange

Camera is on and booting up



Flashing orange

Camera is updating firmware



Flashing blue

Camera is recording, but cannot reach the server



Solid blue

Camera is running, connected, and streaming video

Support

Thank you for purchasing a Verkada camera.

If for any reason things don't work right or you need assistance, please contact us immediately.

Sincerely -
The Verkada Team

+1 (833) 837-5232

support@verkada.com

www.verkada.com/support